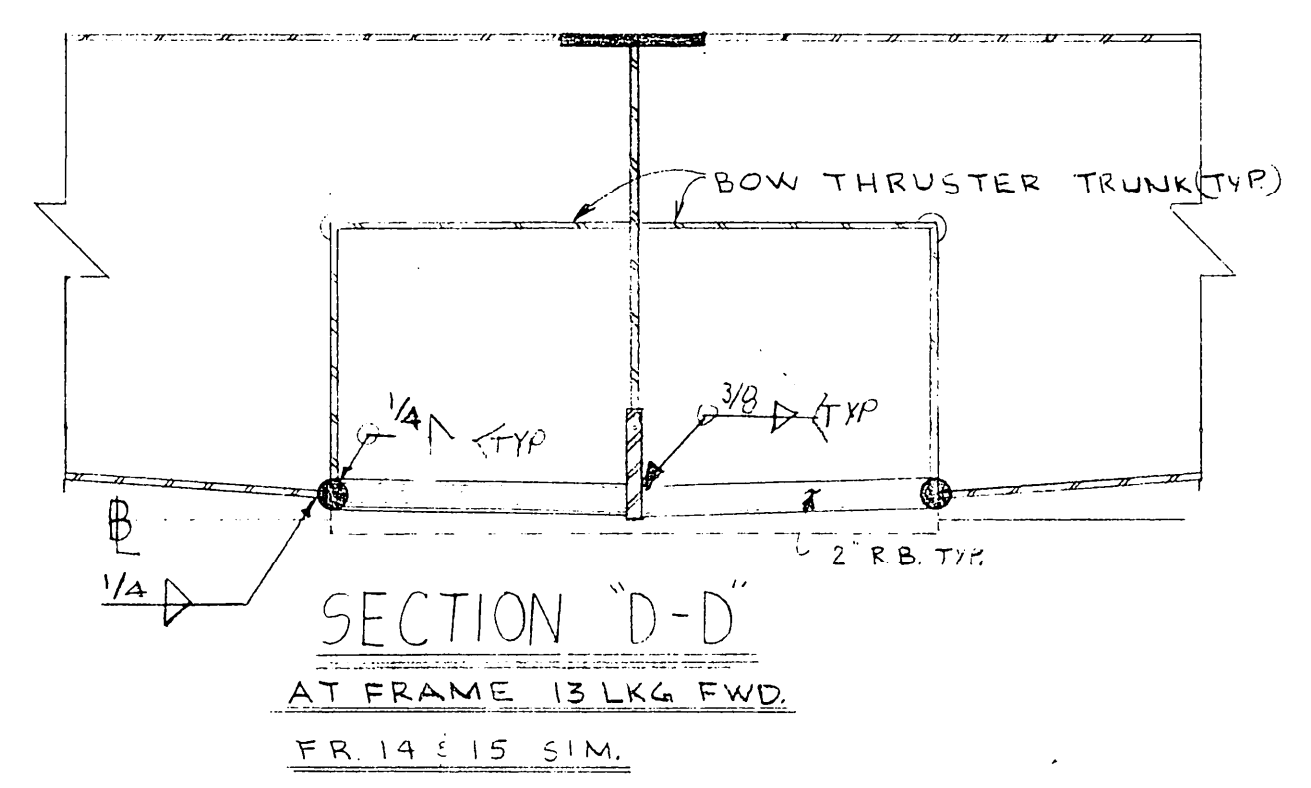
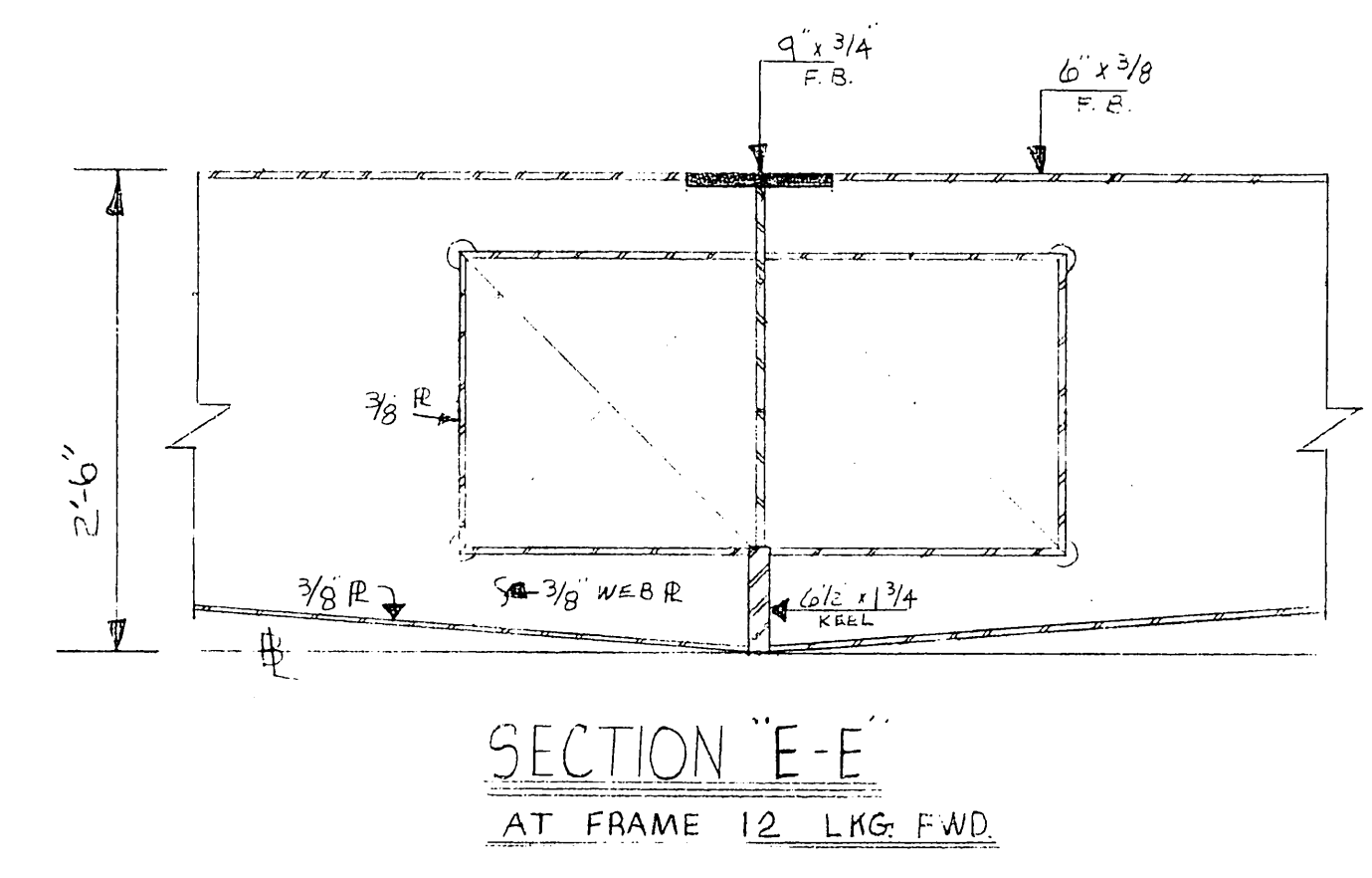
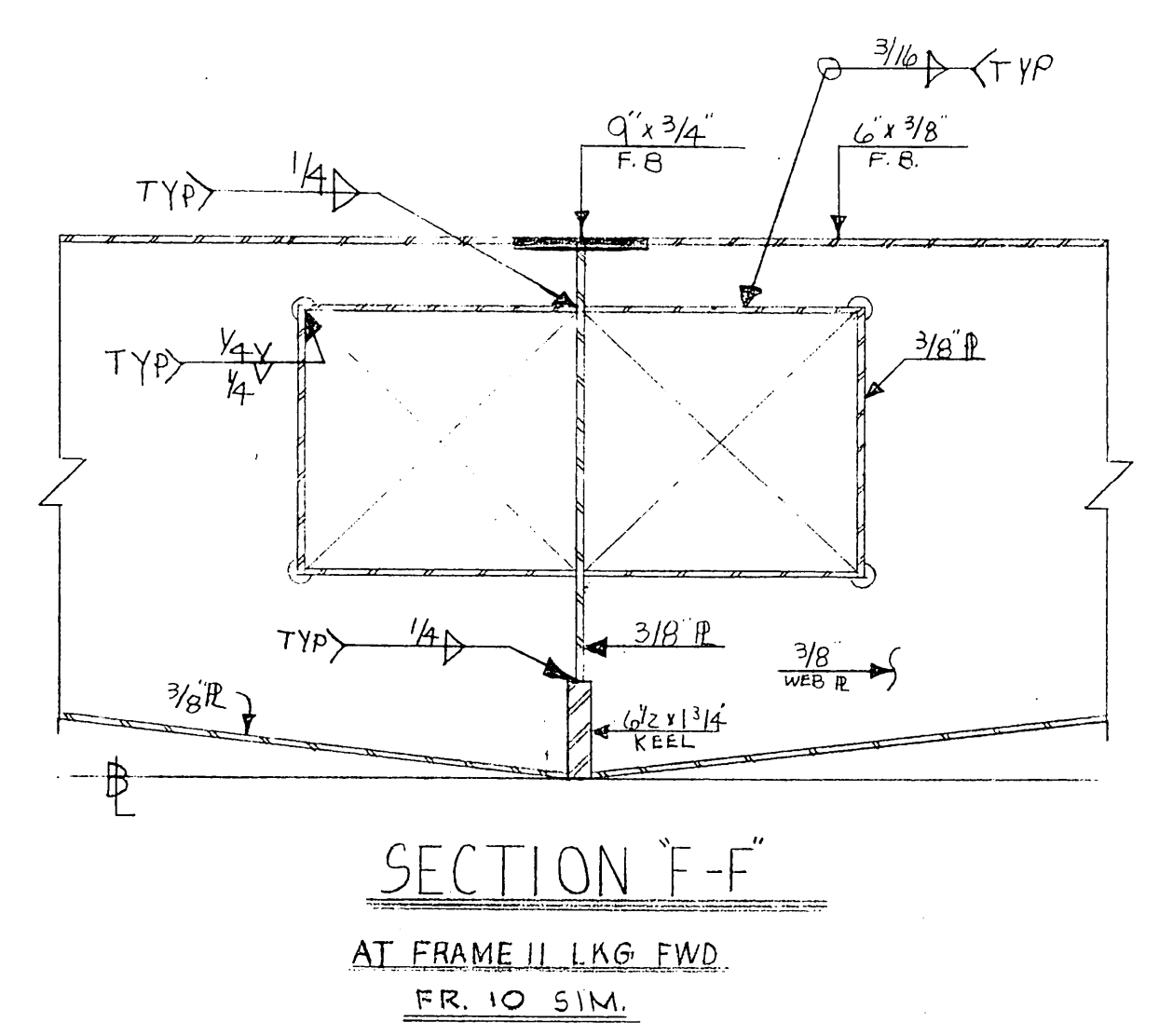
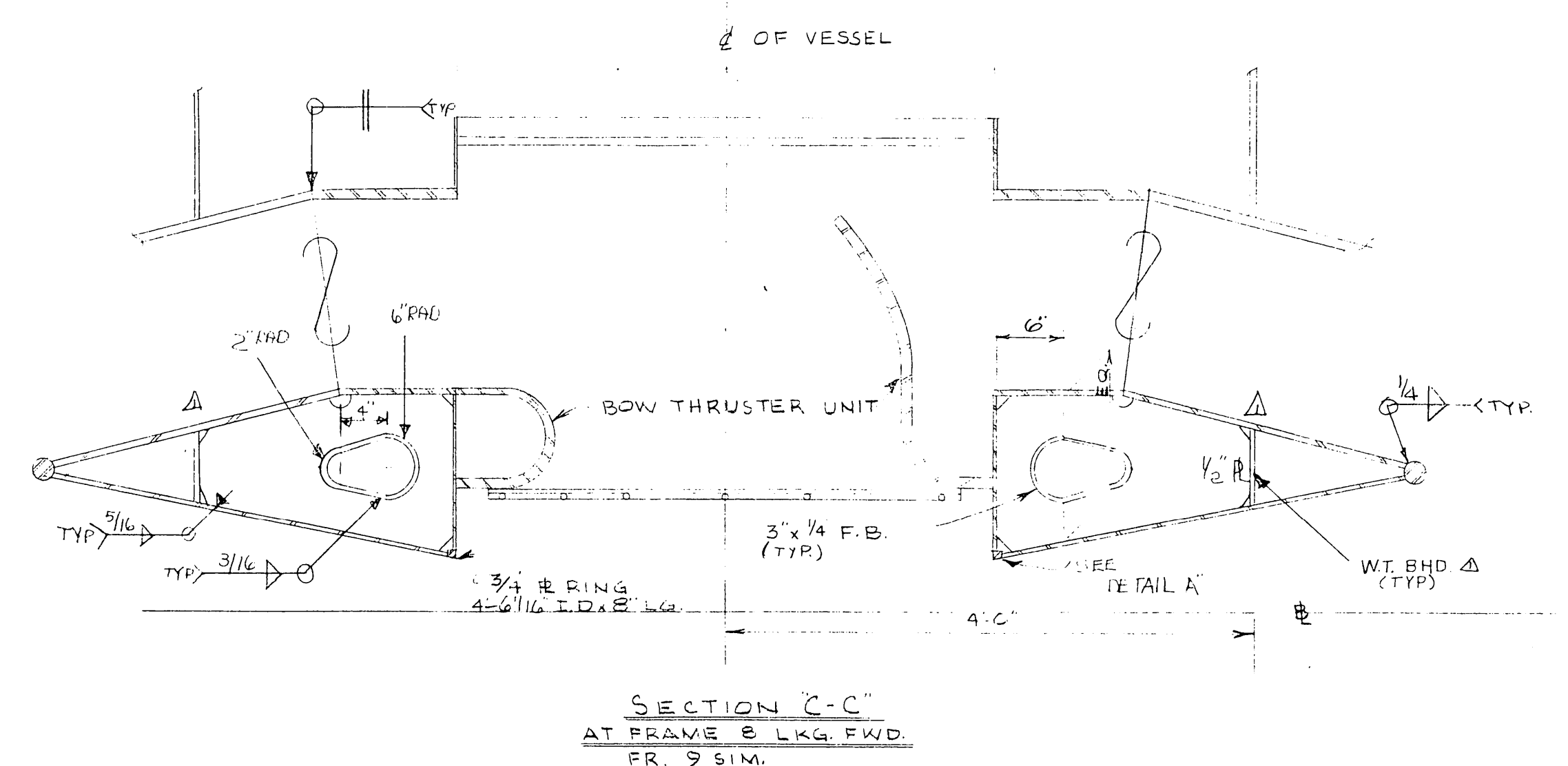
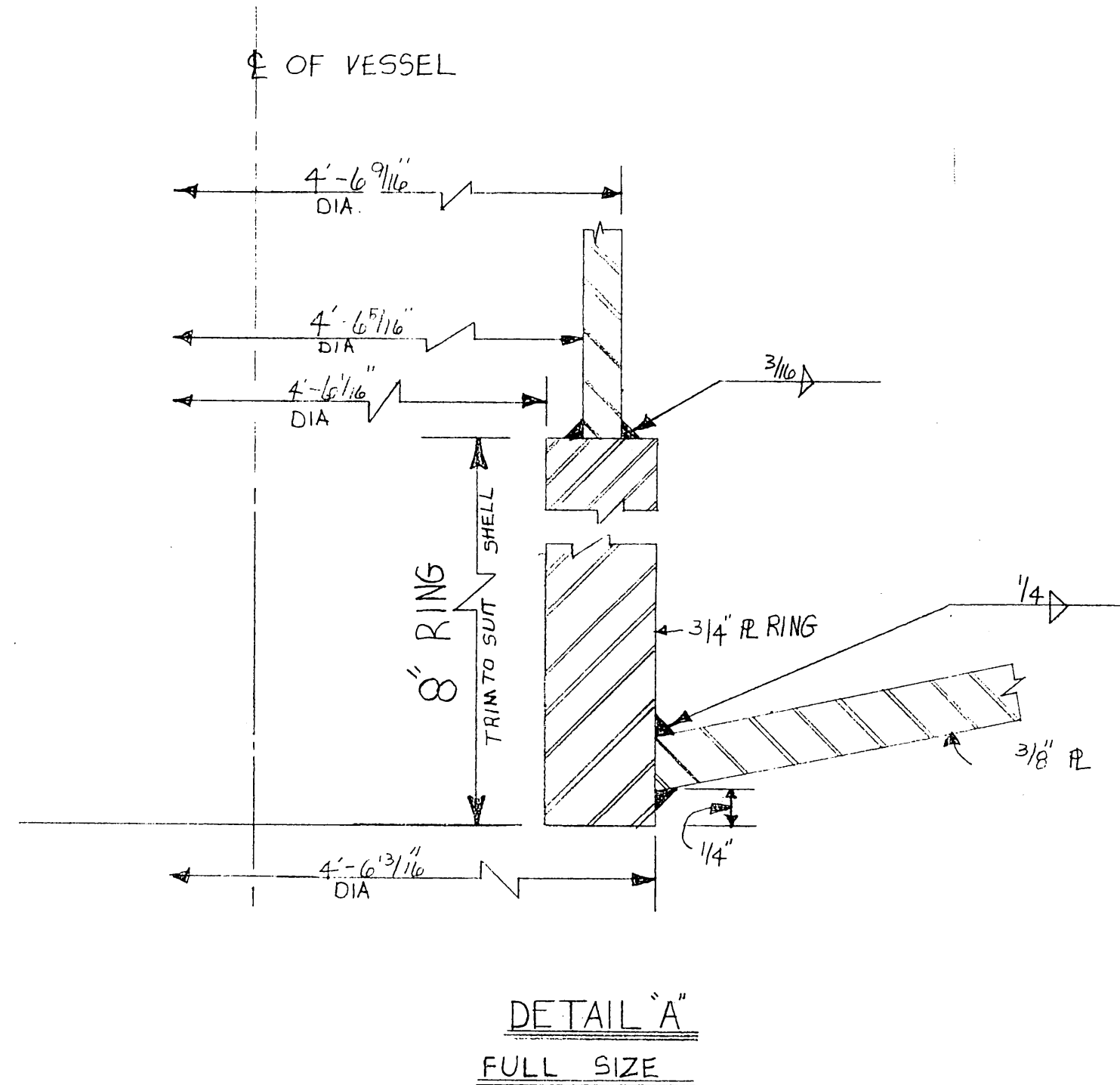


REV. MK.	DESCRIPTION	BY	DATE	APPROV.
△	REV DWG. PER MARKED UP PRINT. BY DALE BEEBES	JT	8/14/81	



NOTE: WORK THIS DWG. WITH DWG. NO. 2062-20 "ARRANGEMENT PLAN & PROFILE OF BOW THRUSTER"

CONST.

DESIGN ASSOCIATES, INC.		
NAVAL ARCHITECTS	MARINE ENGINEERS	
NEW ORLEANS, LA.		
TIDEWATER	MARINE	SERVICE
14'3" x 36' x 10' SEISMIC VESSEL		
DETAILS OF AFT BOW THRUSTER TRUNK		
Drawn: J. THOMAS	Date: 7/10/81	Checked:
Traced:	Date:	Checked:
Aprvd:	Date:	Scale: 1" = 1'-0"
Sheet	Of	Drawing No. C-2062-4